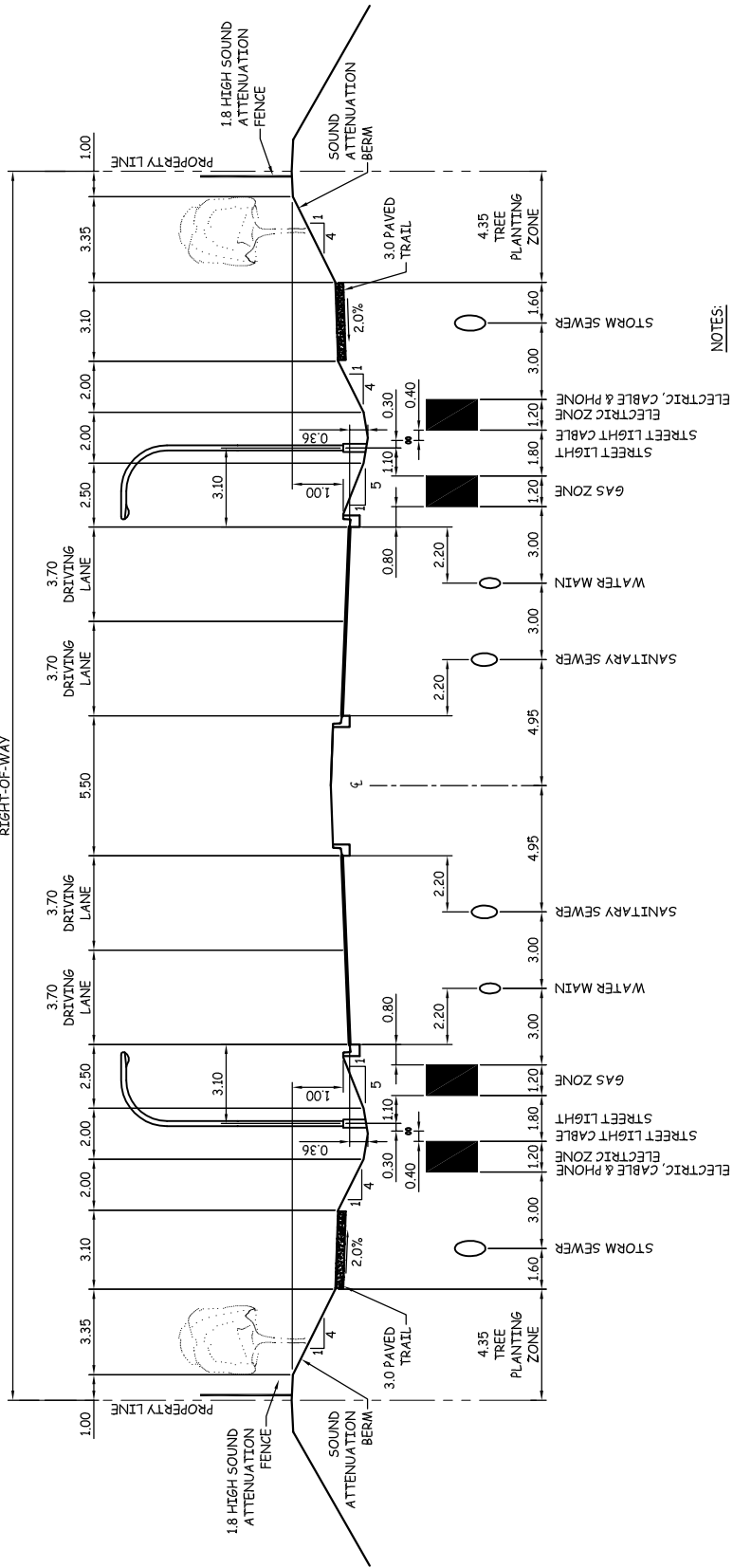


48.20
RIGHT-OF-WAY



NOTES:

1. TRANSFORMER & SWITCHGEAR TO BE LOCATED BETWEEN THE ELECTRIC ZONE AND THE TRAIL
2. STREET LIGHT CABLES TO BE LOCATED AS SHOWN OR IN THE ELECTRICAL DISTRIBUTION TRENCH.
3. FIRE HYDRANTS TO BE INSTALLED 10 METRES FROM THE EDGE OF THE TRAIL IN THE TREE PLANTING ZONE
4. ROAD STRUCTURE SHALL AT A MINIMUM BE EQUAL TO THE ROAD STRUCTURE FOR A MAJOR COLLECTOR ROADWAY
5. ALL DIMENSIONS IN METRES UNLESS OTHERWISE NOTED.

Authorized

Signature _____

Date _____

FILE: ROAD SECTIONS.DWG LAYOUT RD-102



Medicine Hat
The Gas City

Municipal Servicing Standard

MINOR ARTERIAL ROADWAY
4 LANE DIVIDED - 1.0m SOUND BERMS
(48.2m ROW - 2 x 7.4m TW)

DWG. NO. **RD-102**